

MC 101-508

Pluggable terminal block with flanges



Pitch: 5.08mm(0.200inch)

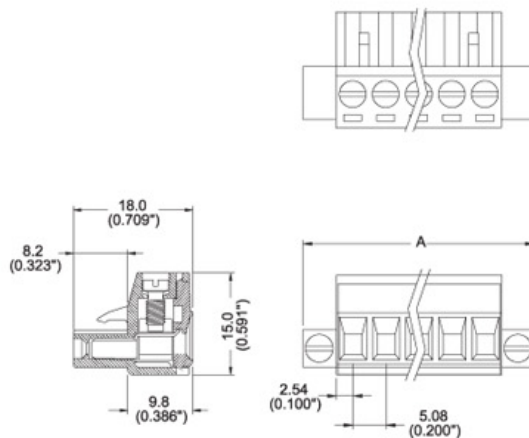


SPECIFICATIONS

			CUL	VDE
負載電壓	Rated Voltage	Bemessungsspannung	AC 300V	AC 380V
負載電流	Rated Current	Bemessungsstrom	16A	16A
電線線徑	Wire Size	Leitergrößen	24~12AWG	0.2~4mm ²
塑膠本體	Housing Material	Isolierstofftyp	Polyamide66(UL94V-0)	
押線圈	Cage Clamp	Klemmkörper	Brass, Ni plated	
導電夾片	Contact	Kontakt	Phosphor bronze, Tin plated	
螺絲	Screw Size	Schraubengewinde	M3.0, steel, Zinc plated	
操作溫度	Operating Temperature	Umgebungstemperatur	-40°C to + 105°C	
扭力	Torque	Anzugsmoment	7.0 lb-inch	
UL File No.	E167040			

TABLE

Item No.	A(mm)	A(inch)
MC101-50802	20.3	0.800
MC101-50803	25.4	1.000
MC101-50804	30.5	1.200
MC101-50805	35.6	1.400
MC101-50806	40.6	1.600
MC101-50807	45.7	1.800
MC101-50808	50.8	2.000
MC101-50809	55.9	2.200
MC101-50810	61.0	2.400
MC101-50811	66.0	2.600
MC101-50812	71.1	2.800
MC101-50813	76.2	3.000
MC101-50814	81.3	3.200
MC101-50815	86.4	3.400
MC101-50816	91.4	3.600
MC101-50817	96.5	3.800
MC101-50818	101.6	4.000
MC101-50819	106.7	4.200
MC101-50820	111.8	4.400
MC101-50821	116.8	4.600
MC101-50822	121.9	4.800



Note:

Screw Plating: Changes are available upon request
Cage Clamp: MC 101# : Steel