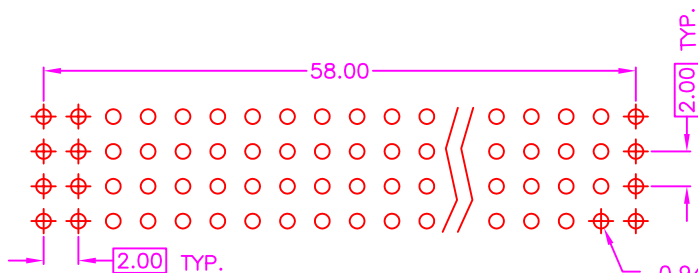
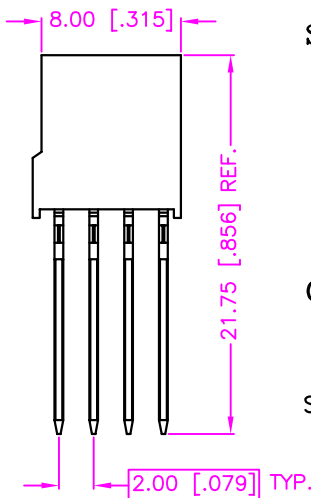
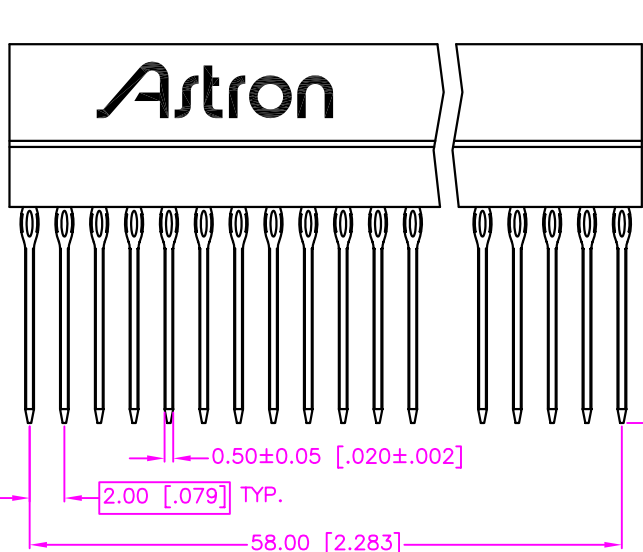
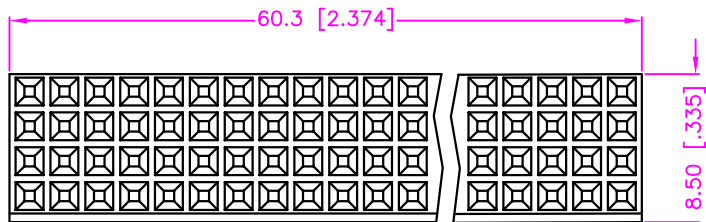


REV.	DESCRIPTION	DATE
A	RELEASE	Aug. 27, 2002
B	DRAW MODIFY	Dec. 18, 2002
C	DRAW MODIFY	Jan. 15, 2004
D	RoHS MODIFY	Feb. 03, 2005



RECOMMEND P.C.B. LAYOUT
TOP VIEW

0.94-0.83 DIA OF FINISHED HOLE AFTER PLATING
DRILLED HOLE DIA 1.02-0.98
TIN/LEAD PLATED 0.005 MIN
COPPER PLATING 0.025-0.075

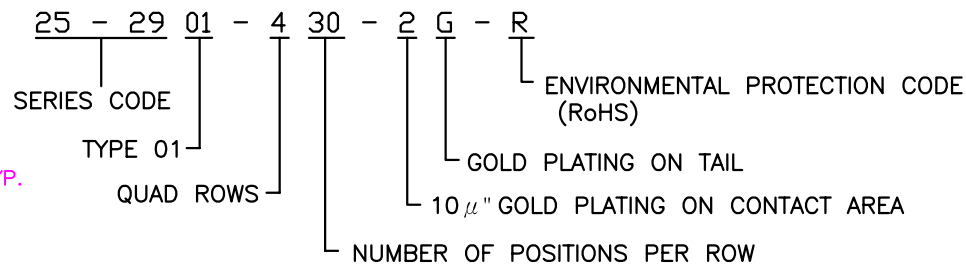
MATERIALS

1. HOUSING : P.P.S. (UL 94V-0), BLACK.
2. TERMINAL : PHOSPHOR BRONZE. (t=0.50mm)
3. STRIP : P.P.S., BLACK.

SPECIFICATION

1. CURRENT RATING : 2 AMP. MAX.
2. DIELECTRIC WITHSTANDING VOLTAGE : 1000V AC R.M.S. FOR ONE MINUTE.
3. INSULATION RESISTANCE : 1000M OHMS MIN. AT 500V DC.
4. CONTACT RESISTANCE : 30m OHMS MAX.
5. OPERATING TEMPERATURE : -40°C TO +85°C.

ORDER INFORMATION :



TOLERANCE .0=±0.30 [.012] .00=±0.20 [.008] .000=±.XXX .0000=±. ANG.=±3°		DRAWER <i>ANY</i>	Astron WWW.ASTRON.COM.TW
UNITS : mm [inch]		CHECK <i>SUB</i>	
SCALE NONE SIZE A4		APP'D <i>ERP</i>	NAME POST HEADER RECEPTACLE 2.00mm PITCH, P.C.B. MOUNT PRESS FIT TYPE
SHEET 1 OF 1 REV. D		PRODUCT SPEC. —	DRAW NO. C25-2901-430-2G-R
			10018